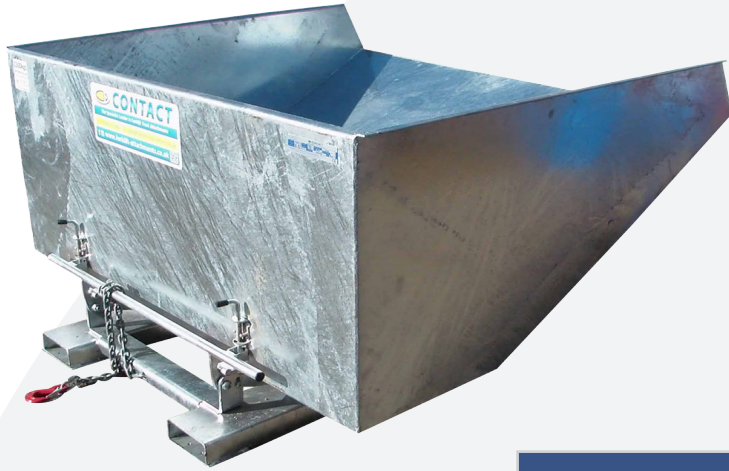


Tipping Skips - Galvanised Range



Suitable for use in a multitude of industries, our forklift tipping skips help keep working areas clear and allow safe and speedy removal of scrap or rubbish to the appropriate waste receptacle or collection point

With a galvanised finish, this range of tipping skips are ideal for working with corrosive waste or in a corrosive environment

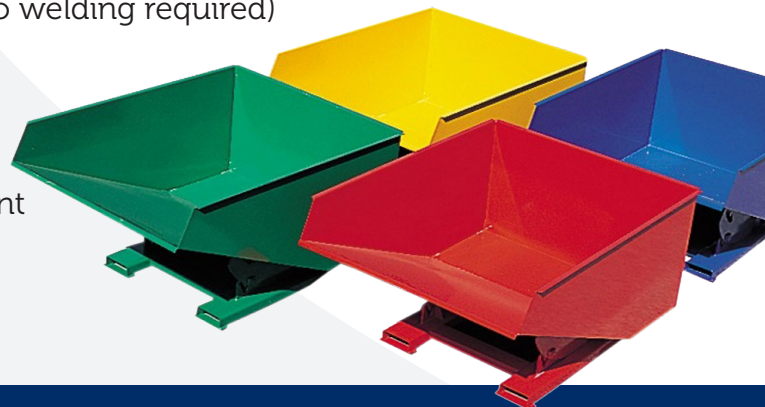
Manufactured from 3mm gauge steel

Model Ref	Volume Capacity (m ³)	Load Capacity (kg)	Weight (kg)
RFS 40L-Galv	0.40	1000	125
RFS 80L-Galv	0.80	1000	177
RFS 120L-Galv	1.20	1250	198

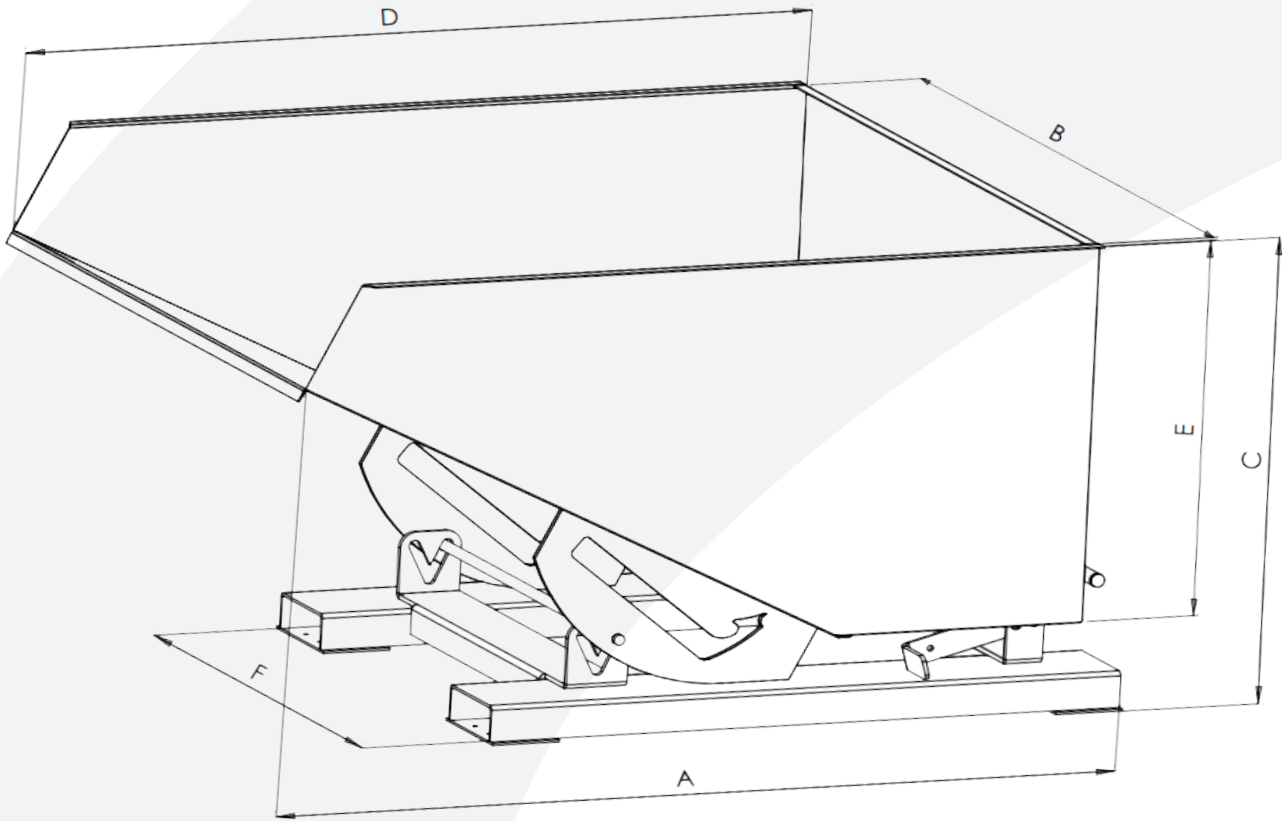
Features & Benefits

- Manufactured with hot dipped galvanised finish, offering non-corrosive properties
- Full width release handles eliminates need to lean in between the skip and truck mast
- Heavy duty steel underframe offering long service life properties
- Twin locking mechanism for added safety to ensure skip is locked if loaded unevenly
- Pre-drilled castor plates for retro fitment of castors (no welding required)
- Safety security chain to ensure safe retention to forklift truck
- Bolted tipping handle for easy replacement (no welding required)

Skips can be colour coded to adhere to stringent and environmental policies



Tipping Skips - Galvanised Range

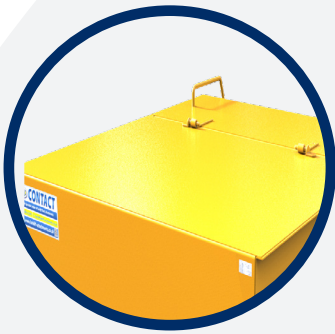


Maximum Fork Section 150mm x 60mm

Model Ref	O/all Length A (mm)	O/all Width B (mm)	O/all Height C (mm)	Bin Length D (mm)	Bin Height E (mm)	Fork Spread F (mm)
RFS 40L-Galv *	1360	794	776	1197	547	890
RFS 80L-Galv	1718	960	982	1540	750	890
RFS 120L-Galv	1718	1300	982	1540	750	890

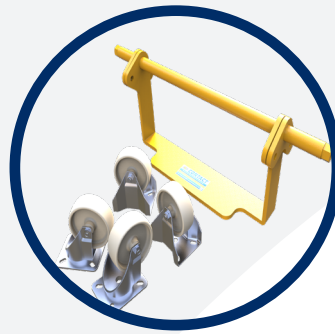
* For the RFS 40L-Galv model, please note the overall width is 925mm. For all other models, the bin width (dimension B) is the widest point

Enhance your skip with the following



Lids

Contain rubbish and control unwanted odours



Auto Release Kit

Automatically tip the skip for safer operation at height (adds 130mm to overall skip height)



Mesh Extensions

Increases volumetric capacity of the skip by adding 500mm to height



Castors

For easy manoeuvrability when forklift not in use (adds 130mm to overall skip height)



Lifting Lugs

Allows skip to be lifted by overhead crane



Drain Tap & Filter

Enables liquid to drain from skip base