

Four Fork Attachment (FFA)

The Four Fork Attachments is designed for handling extra wide pallets or long products such as steel or plastic pipes, steel flats or timber.

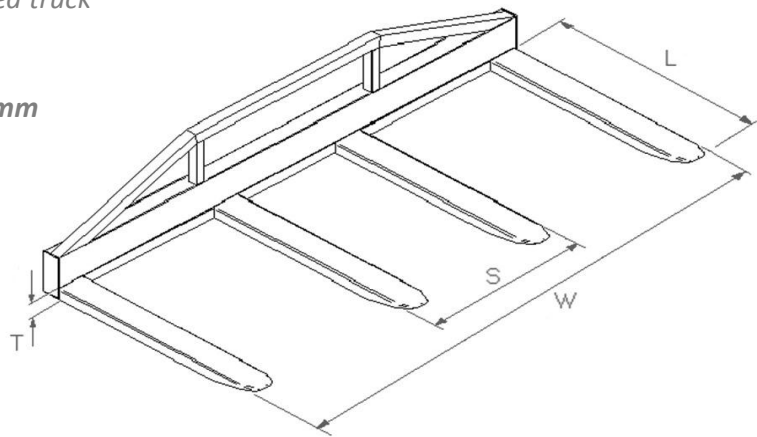
Four Fork Attachments are manufactured to suit individual trucks and applications. It is important to provide all information stated below when ordering.

Solid Outer Fork Models are available by request.

To fit; simply lower the truck forks fully and drive slowly forward until the fork face contacts the beam of the attachment. Then fit the heel pin behind the truck forks. Ensure the attachment is fully secured before use. .

*Attachment Fork Length (L) **must not** exceed truck fork length by more than 50%*

*Maximum Lateral Adjustment is **1000mm***



Model Ref	Max SWL (kg)	LLC (mm)
FFA-1	1000	80
FFA-2	2000	80
FFA-3	3000	80
FFA-4	4000	160
FFA-5	5000	160