

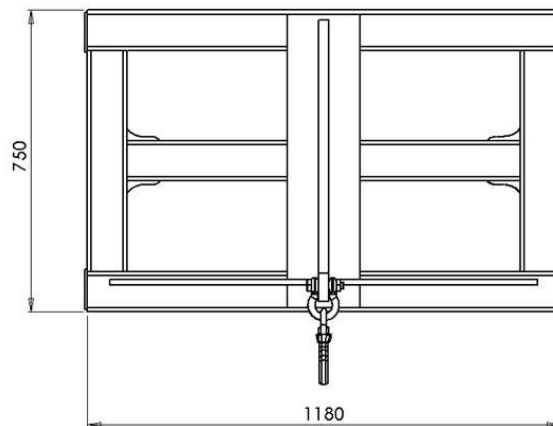
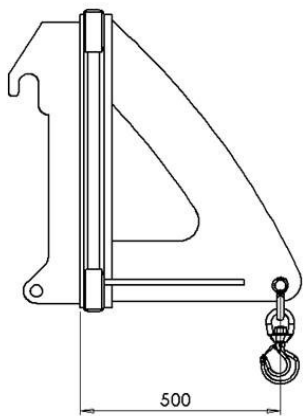


Telehandler Lifting Hook

For mounting directly to your Telehandler, the Telehandler lifting hook is a strong, robust and heavy duty attachment that comes in capacities ranging from 1000kgs to 5000kgs. Single lifting point positioned at a length of 500mm allows for working in confined spaces.

We can manufacture our Telehandler lifting hook in high capacities if required, so please do not hesitate to ask if you need a larger capacity

The Telehandler lifting hook can be supplied with brackets to suit your Telehandler (please advise make and model).



Load Centre	500mm
Width	1180mm
Height	750mm

Features

Heavy Duty, design to ensure long term durability

Dedicated Load Handling, by incorporating fixed lifting point to ensure the same lift, each and every time

Brackets, can be supplied and welded to the back frame to allow mounting to your telehandler of choice

Swivel Sling Hook, supplied as standard

Fully Tested & Certified, to comply with latest health & safety regulations

