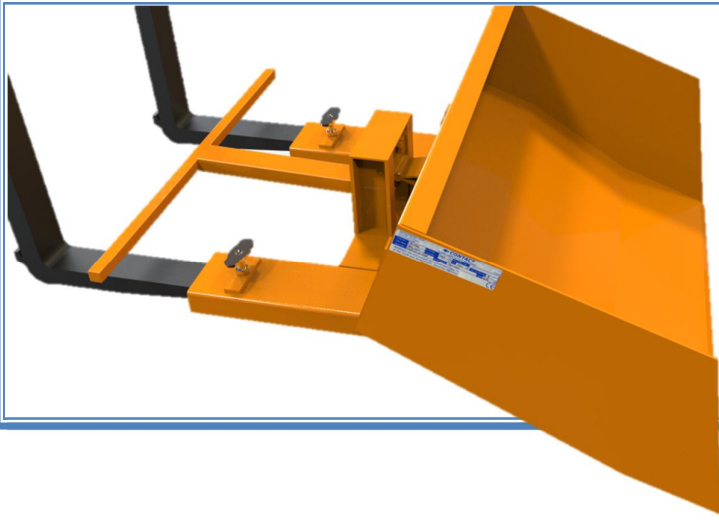


High Lift Scoop (HLS)



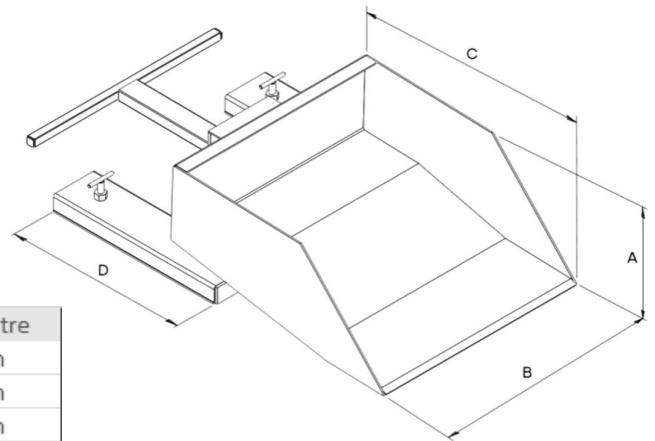
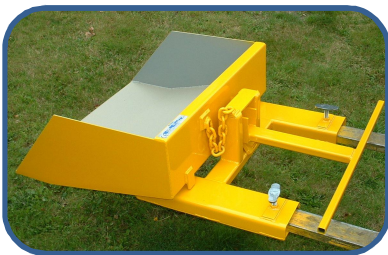
To fill the bucket and pick up a load of material, the material should be approached with the bucket at ground level. The truck is driven carefully forward, with the mast as near upright as possible until the bucket fills. The forks can then be raised and the material transported as required. To dump the material, the bucket is positioned directly over the discharge point. Once correctly positioned the operator lifts the release lever and the contents are discharged.

Maximum Fork Size 125 x 40 mm

Max Fork Spread 886 mm

The ideal scoop for emptying/filling sands and aggregates at high levels.

Ideal scoop for high and long reach where exact measurement of contents is not important. Ideal for picking up overspill or dross in a processing area.



Model Ref.	Weight	C of G Min	C of G Max	Load Centre
HLS 20M	165Kg	600mm	682mm	862mm
HLS 25M	180Kg	600mm	682mm	862mm
HLS 40M	195Kg	600mm	682mm	862mm
HLS 50M	205Kg	600mm	682mm	862mm
HLS 60M	233Kg	600mm	682mm	862mm
HLS 75M	270Kg	620mm	702mm	862mm
HLS 100M	440Kg	900mm	702mm	862mm

Model Ref.	Volume	Capacity	A (Bucket Height)	B (Bucket Width)	C (Bucket Length)	D (Pocket Length)
HLS 20M	0.20m ³	1500Kg	367mm	800mm	905mm	675mm
HLS 25M	0.25m ³	1500Kg	367mm	1000mm	905mm	675mm
HLS 40M	0.40m ³	2000Kg	392mm	1250mm	905mm	675mm
HLS 50M	0.50m ³	2000Kg	392mm	1500mm	905mm	675mm
HLS 60M	0.60m ³	2200Kg	392mm	1780mm	905mm	675mm
HLS 75M	0.75m ³	3000Kg	592mm	1500mm	1300mm	675mm
HLS 100M	1.00m ³	3500Kg	592mm	2000mm	1300mm	675mm