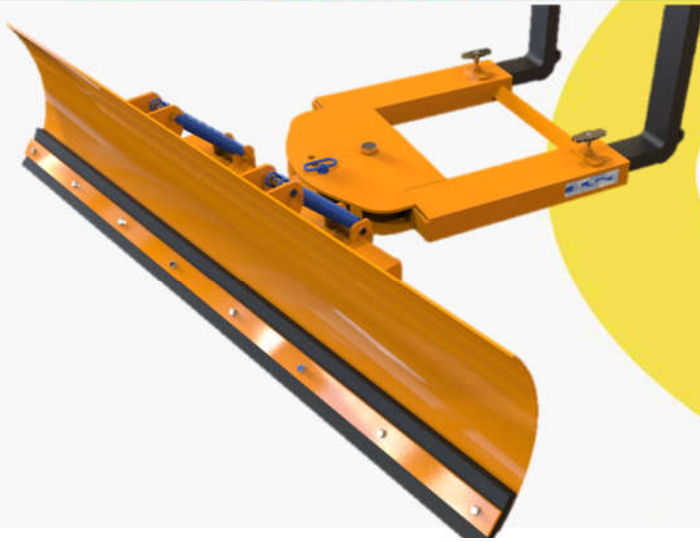


Sprung Snow Plough (SSP)

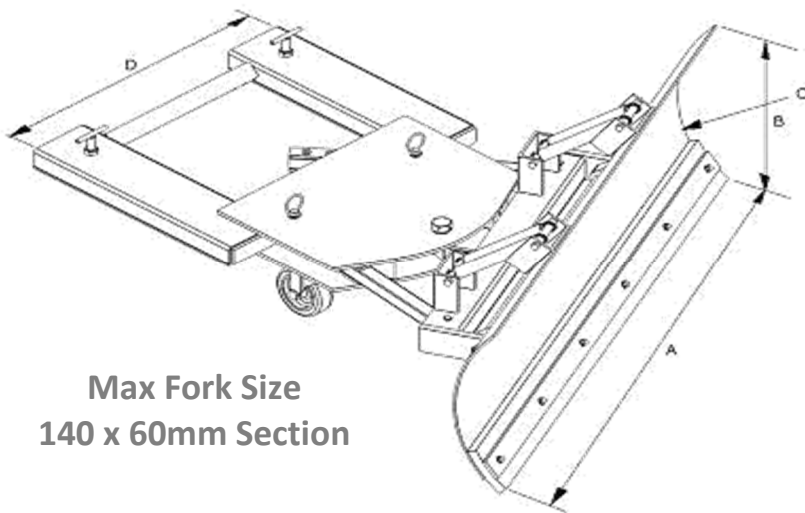


CONTACT Sprung Snow Ploughs are ideal for clearing areas where hidden objects are likely to be encountered. Spring loaded blade minimises damage to the plough and objects such as manhole covers etc.

Our Sprung Snow Plough slides onto the forks of the truck, to secure simply tighten the two screw clamps. The blade can be positioned from fully left to fully right to suit your needs. To adjust remove the lynch pins from the drop pins and using two hands move the blade to the desired angle, then simply refit the pins. The attachment should be used with the lift chains taught, thus supporting the weight of the forks and attachment, castors should be just in contact with the ground.

Model Ref.	A	B	C	D
SSP 1525 RC	1525mm	550mm	380mm	804mm
SSP 1830 RC	1830mm	550mm	380mm	804mm
SSP 2130 RC	2130mm	550mm	380mm	804mm

Model Ref.	Weight	C of G
SSP 1525 RC	160kgs	869mm
SSP 1830 RC	170kgs	889mm
SSP 2130 RC	180kgs	906mm



Max Fork Size
140 x 60mm Section

