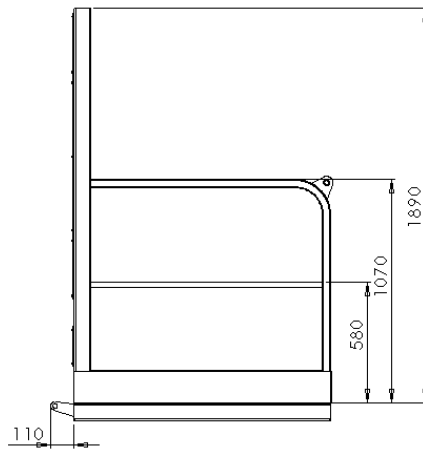
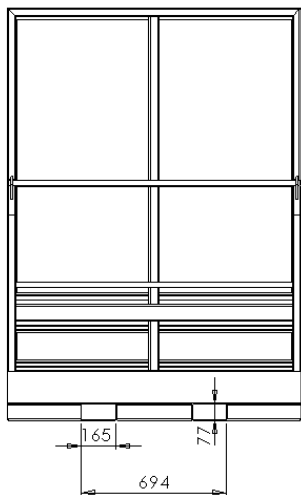


Heavy Duty Access Platforms (WP-STD-HD)

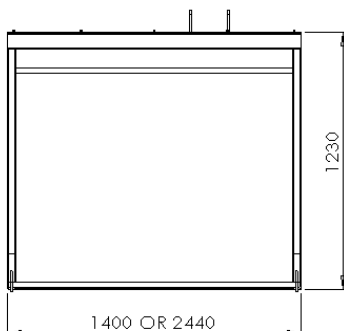


Our heavy duty range of access platforms are designed for use in the more arduous environments, such as constructions sites and industrial plants. The platforms are fully compliant to PM28, the HSE directive relating to safe design and supply of man riding platforms. The platforms have the added benefit of dual truck connection, with the fork pockets and heel fixings being used for when the cage is mounted on pallet forks, or an option for bolt on quick hitch telehandler brackets allow the unit to become the perfect choice for those users who operate with telehandlers on site.

Model Ref.	SWL	Load Centre	Width	Depth	BackHeight	Mass	Max Person
WP-STD-1400-HD	500kg	600mm	1400mm	1230mm	1890mm	206kg	2
WP-STD-2440-HD	500kg	600mm	2440mm	1230mm	1890mm	298kg	4



PPE KITS ALSO AVAILABLE



The heavy duty access platform range is manufactured from mild steel box section, with a solid steel baseplate atop a box section frame. Side frames are rolled box section whilst the full height back frame comes fitted with galvanised mesh suitably sized to comply with all relevant HSE guidelines.

All Contact access platforms come complete with a declaration of conformity and rating plate, full user operating instructions and safety stickers affixed.

For more info visit www.forklift-attachments.co.uk

