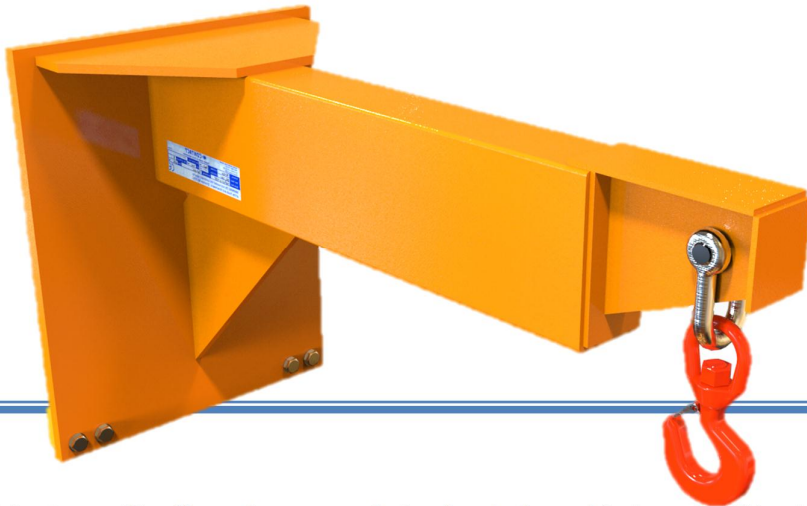
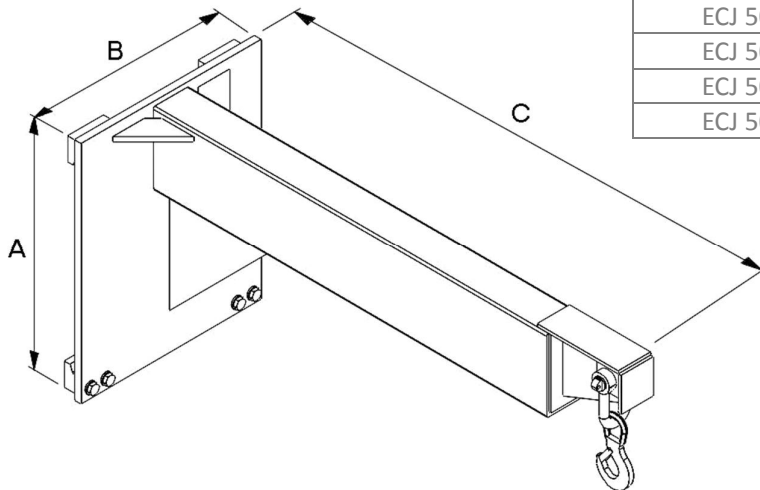


Econo-Jib (ECJ)



The Econo Jib offers a low cost solution for dedicated fork trucks lifting loads at a single load centre. To fit ; simply remove the bottom rear hangers on the attachment back plate. Then simply lower the truck carriage and drive slowly forwards so as the truck carriage top rail contacts the jib backplate just below the attachments top hanger, raise the carriage if nessecary so that a snug fit is achieved. Then simply re-fit the bottom hangers and esnure the jib is secured fully. Lifting may now commence.

Econo Jibs are a low cost jib, with one lifting point which mounts directly onto the carriage of your lift truck. This jib is ideal for where dedicate lifting is needed at a given load centre and manoeuvrability is paramount.



Model Ref	Lifting Point	Capacity
ECJ 500-0.8	1200MM	380KGS
ECJ 500-1.3	1200MM	500KGS
ECJ 500-1.8	1200MM	900KGS
ECJ 500-2.2	1200MM	1100KGS
ECJ 500-2.7	1200MM	1200KGS

Model Ref	Truck Capacity	Carriage Cls	" A "	"B"	"C"
ECJ 500-0.8	1000KGS	2	500MM	400MM	1200MM
ECJ 500-1.3	1500KGS	2	500MM	400MM	1200MM
ECJ 500-1.8	2000KGS	2	500MM	400MM	1200MM
ECJ 500-2.2	2500KGS	2	500MM	400MM	1200MM
ECJ 500-2.7	3000KGS	3	600MM	400MM	1200MM