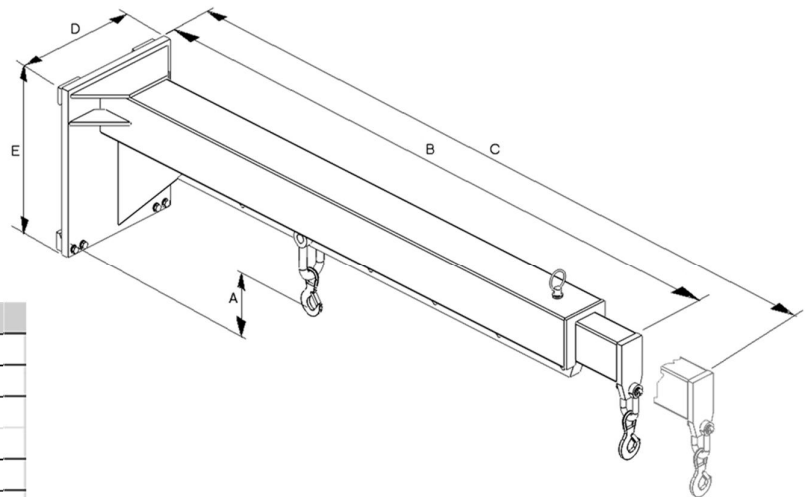


Carriage Mtd Tele Liner Jib (CMX)

The Telescopic Carriage Mounted Jib offers a flexible method of safely handling loads at different load centres. To fit the jib, simply remove the bottom carriage blocks from the attachment backplate, then simply drive the truck slowly forwards until the truck carriage contacts the jib backplate, then lift the carriage until the top rail fits snugly under the top carriage block on the jib backplate, then simply re-fit the bottom blocks, and the jib is ready to begin lifting. Quick release Blocks can be offered to reduce fitting time, also stands are available to also aid fitting and storage. The jib can also be fitted with a hydraulic cylinder for use hydraulic opening and closing.

Telescopic Carriage Mounted Jibs are a manually extending jib which mounts directly onto the truck carriage. Allows versatility of long reach or alternatively the manoeuvrability of a shorter reach jib.



Model Ref.	Weight	C of G Min	C of G Max
500-1.8	125kgs	670mm	870mm
500-2.2	125kgs	670mm	870mm
500-2.7	210kgs	705mm	905mm
500-3.1	210kgs	705mm	905mm
500-3.5	212kgs	705mm	905mm
500-4.4	212kgs	705mm	905mm

Model Ref.	Capacity (kgs) @ Load Ctrs (mm)										
	500	750	1000	1250	1500	1750	2000	2250	2500	2750	3000
500-1.8	1800	1400	1100	900	720	580	500	360	330	260	210
500-2.2	2200	1800	1400	1100	1000	850	750	560	440	320	230
500-2.7	2700	2050	1450	1200	1100	900	840	670	490	360	270
500-3.1	3100	2500	1900	1500	1200	1000	900	730	580	450	370
500-3.5	3500	2700	2000	1600	1300	1100	1000	820	670	540	460
500-4.4	4400	3400	2700	2200	1850	1400	1100	900	750	620	500

Model Ref.	Truck Capacity	"A" Hook Height	"B" Closed Length	"C" Open Length	Carriage Class	"D" Carriage Width	"E" Carriage Height
500-1.8	2000kgs	44mm	2000mm	3000mm	2	400mm	500mm
500-2.2	2000kgs	33mm	2000mm	3000mm	2	400mm	500mm
500-2.7	3000kgs	121mm	2000mm	3000mm	3	500mm	600mm
500-3.1	3500kgs	133mm	2000mm	3000mm	3	500mm	600mm
500-3.5	4000kgs	107mm	2000mm	3000mm	3	500mm	600mm
500-4.4	5000kgs	107mm	2000mm	3000mm	3	500mm	600mm