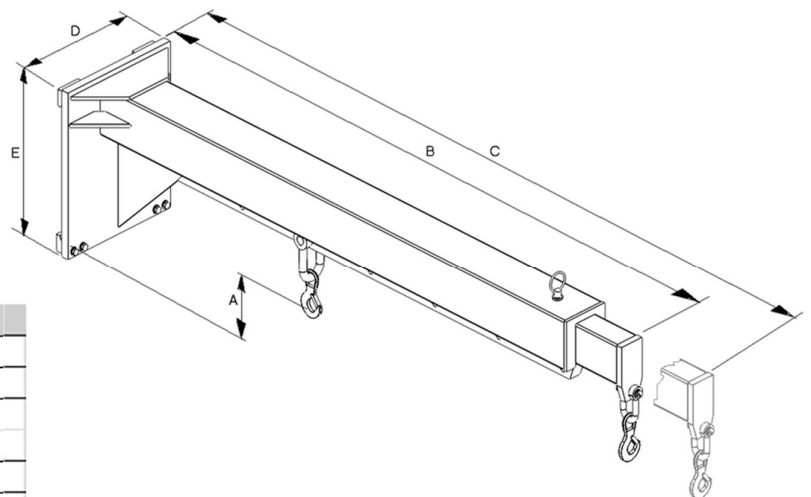


Carriage Mtd Tele Liner Jib (CMX)

Our best selling Telescopic Carriage Mounted Jib offers a flexible method of safely handling loads at different load centres. To fit the jib, simply remove the bottom carriage blocks from the attachment backplate, then simply drive the truck slowly forwards until the truck carriage contacts the jib backplate, then lift the carriage until the top rail fits snugly under the top carriage block on the jib backplate, then simply re-fit the bottom blocks, and the jib is ready to begin lifting. Quick release Blocks can be offered to reduce fitting time, also stands are available to also aid fitting and storage. The jib can also be fitted with a hydraulic cylinder for use hydraulic opening and closing.

CONTACT Telescopic Carriage Mounted Jibs are a manually extending jib which mounts directly onto the truck carriage. Allows versatility of long reach or alternatively the manoeuvrability of a shorter reach jib.



| Model Ref. | Weight | C of G Min | C of G Max |
|------------|--------|------------|------------|
| 500-1.8 | 125kgs | 670mm | 870mm |
| 500-2.2 | 125kgs | 670mm | 870mm |
| 500-2.7 | 210kgs | 705mm | 905mm |
| 500-3.1 | 210kgs | 705mm | 905mm |
| 500-3.5 | 212kgs | 705mm | 905mm |
| 500-4.4 | 212kgs | 705mm | 905mm |

| Model Ref. | Capacity (kgs) @ Load Ctrs (mm) | | | | | | | | | | |
|------------|---------------------------------|------|------|------|------|------|------|------|------|------|------|
| | 500 | 750 | 1000 | 1250 | 1500 | 1750 | 2000 | 2250 | 2500 | 2750 | 3000 |
| 500-1.8 | 1800 | 1400 | 1100 | 900 | 720 | 580 | 500 | 360 | 330 | 260 | 210 |
| 500-2.2 | 2200 | 1800 | 1400 | 1100 | 1000 | 850 | 750 | 560 | 440 | 320 | 230 |
| 500-2.7 | 2700 | 2050 | 1450 | 1200 | 1100 | 900 | 840 | 670 | 490 | 360 | 270 |
| 500-3.1 | 3100 | 2500 | 1900 | 1500 | 1200 | 1000 | 900 | 730 | 580 | 450 | 370 |
| 500-3.5 | 3500 | 2700 | 2000 | 1600 | 1300 | 1100 | 1000 | 820 | 670 | 540 | 460 |
| 500-4.4 | 4400 | 3400 | 2700 | 2200 | 1850 | 1400 | 1100 | 900 | 750 | 620 | 500 |

| Model Ref. | Truck Capacity | "A" Hook Height | "B" Closed Length | "C" Open Length | Carriage Class | "D" Carriage Width | "E" Carriage Height |
|------------|----------------|-----------------|-------------------|-----------------|----------------|--------------------|---------------------|
| 500-1.8 | 2000kgs | 44mm | 2000mm | 3000mm | 2 | 400mm | 500mm |
| 500-2.2 | 2000kgs | 33mm | 2000mm | 3000mm | 2 | 400mm | 500mm |
| 500-2.7 | 3000kgs | 121mm | 2000mm | 3000mm | 3 | 500mm | 600mm |
| 500-3.1 | 3500kgs | 133mm | 2000mm | 3000mm | 3 | 500mm | 600mm |
| 500-3.5 | 4000kgs | 107mm | 2000mm | 3000mm | 3 | 500mm | 600mm |
| 500-4.4 | 5000kgs | 107mm | 2000mm | 3000mm | 3 | 500mm | 600mm |

