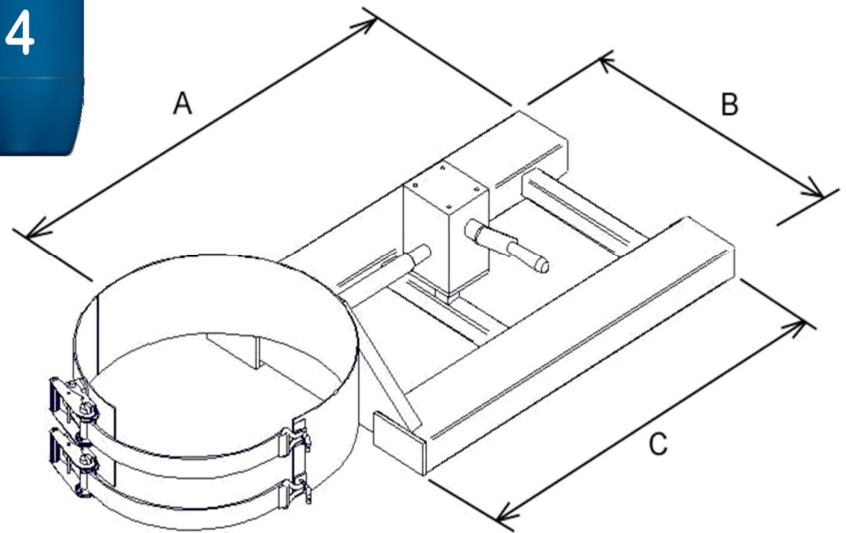
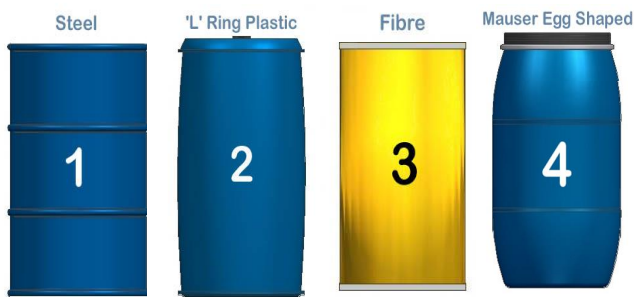


Sideways Drum Rotator (SDR)

In order to pick up a drum, drive slowly forwards into the attachment sleeves and secure via the screw downs. Set the girdle to the horizontal position by means of either the crank handle or loop chain. The girdle must then be positioned at a height such the girdle located inbetween the drums centre rolling hoops. Once the drum is fully located secure via the ratchet and webbing straps. Once the drum is lifted to the desired pouring position, the drum can be rotated via the crank handle or loop chain, the gearbox provided locks the drum at any desired angle to increase safety during operation.



Model Ref	C of G	Weight
SDR-1-DS	695mm	112kgs
SDR-2-DS	695mm	118kgs

Model Ref	Capacity	No of Drums	Type of Operation	"A" Load Centre	"B" Fork Spread	"C" Pocket Length
SDR-1-DS	360kgs	1	Crank Handle	1360mm	685mm	1000mm
SDR-2-DS	360kgs	1	Loop Chain	1360mm	685mm	1000mm