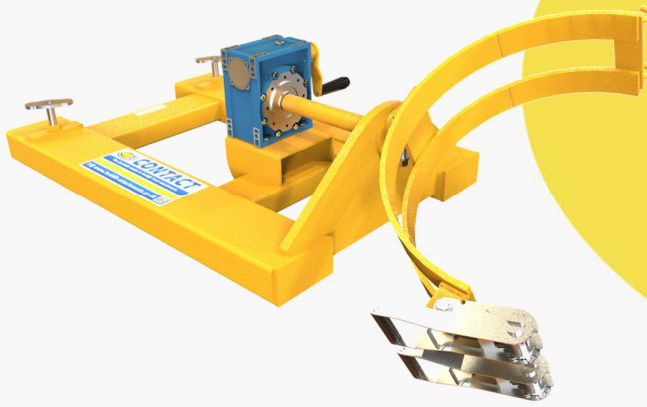


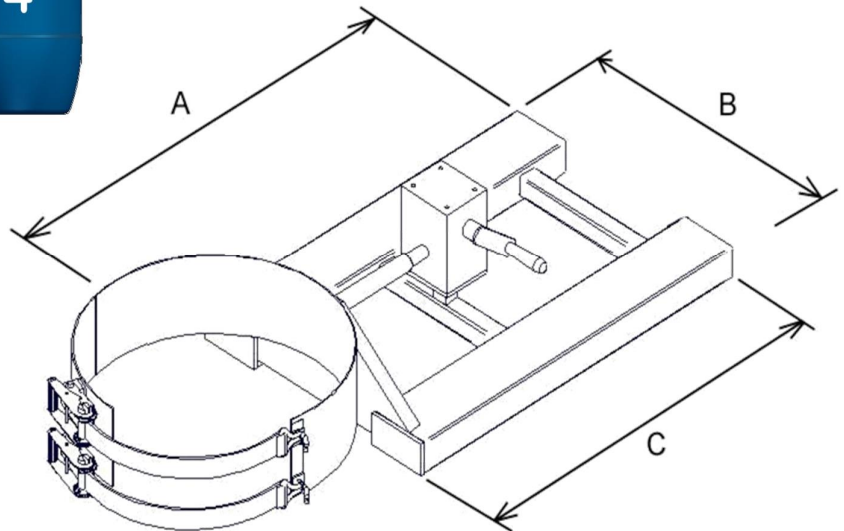
Sideways Drum Rotator (SDR)



In order to pick up a drum, drive slowly forwards into the attachment sleeves and secure via the screw downs. Set the girder to the horizontal position by means of either the crank handle or loop chain. The girder must then be positioned at a height such the girder located inbetween the drums centre rolling hoops. Once the drum is fully located secure via the ratchet and webbing straps. Once the drum is lifted to the desired pouring position, the drum can be rotated via the crank handle or loop chain, the gearbox provided locks the drum at any desired angle to increase safety during operation.



| Model Ref | C of G | Weight |
|-----------|--------|--------|
| SDR-1-DS | 695mm | 112kgs |
| SDR-2-DS | 695mm | 118kgs |



| Model Ref | Capacity | No of Drums | Type of Operation | "A" Load Centre | "B" Fork Spread | "C" Pocket Length |
|-----------|----------|-------------|-------------------|-----------------|-----------------|-------------------|
| SDR-1-DS | 360kgs | 1 | Crank Handle | 1360mm | 685mm | 1000mm |
| SDR-2-DS | 360kgs | 1 | Loop Chain | 1360mm | 685mm | 1000mm |

