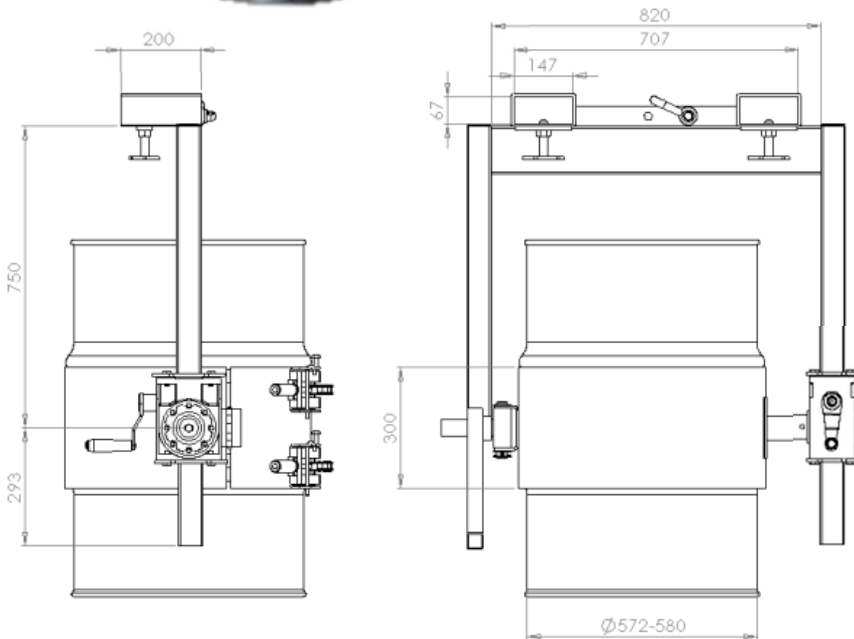


Drum Rotators (DTR-1000)



Our heavy duty drum rotator is designed to lift and rotate a standard steel drum up to 1000kgs in weight. The unit is fitted with a heavy duty worm gear reducer, with adequate ratio to allow the user to comfortably rotate the drum through 360 degrees. The gearbox also prevents back turning, allowing the user to stop rotation at any point with the drum holding in place, perfect for slow and precise decanting into another container or drum.



Model Ref.	Capacity	Weight
DTR-3-1000	1000kgs	120kgs
DTR-4-1000	1000kgs	126kgs

Model Ref.	C of G	Load Centre
DTR-3-1000	100mm	100mm
DTR-4-1000	100mm	100mm

The heavy duty drum rotator comes in two models. Firstly the DTR-3-1000, which is fitted with a crank handle, for operation at waist or shoulder height (shown above). The second option is the DTR-4-1000 (shown right), which comes fitted with a chain wheel and chain housed within a guard, the user to operate the gearbox at height via the 3m loop chain. The swivelling guard on the chain wheel ensures the chain can be pulled from any direction. The units come with fork pockets and screw clamp retention for fork mounted use, but also a crane lifting point should you wish to use it on an overhead crane.

