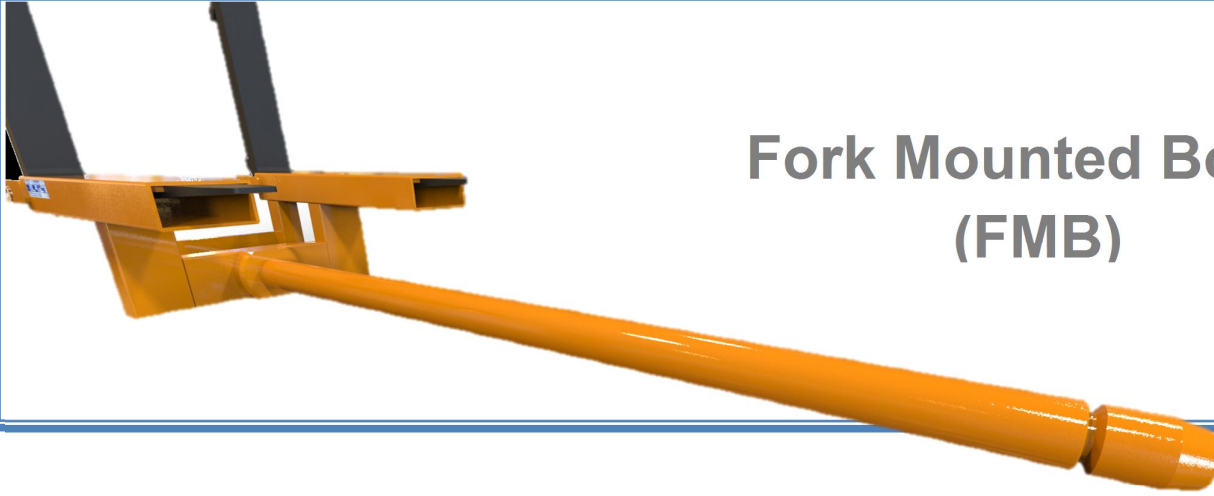
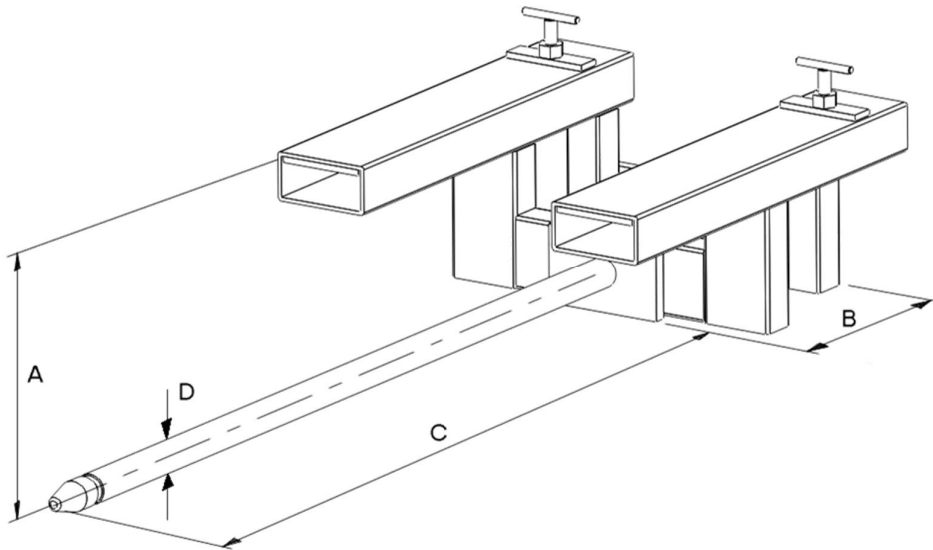


# Fork Mounted Boom (FMB)



Fork Mounted Booms offer the ideal solution when a changeover from pallet handling of coiled or rolled products is required, and time is at a premium. Mounting is directly onto the forks of the truck and is achieved in seconds.

Fork Mounted Booms offer fast and safe transport of coiled or rolled products. To begin with: remove the heel pin from the attachment so as the boom pockets are open. Simply raise the forks of the truck until they are at a similar height to that of the boom pockets and slowly drive forwards entering the pockets fully, adjusting height if necessary. Once the boom is on the forks simply slide the heel retention pin back into its receptacles. The boom is now ready for operation.



Max Fork Size 140 x 50mm

Model Ref.	Capacity	Weight	C of G	"A" (Boom Height)	"B" (L.L.C)	"C" (Pole Length)	"D" (Dia)	Max Fork Spread
FMB 50-1525	1000kgs	93kgs	485mm	245mm	350mm	1525mm	50mm	657mm
FMB 50-2000	1000kgs	101kgs	601mm	245mm	350mm	2000mm	50mm	657mm
FMB 65-1525	1250kgs	112kgs	553mm	245mm	350mm	1525mm	65mm	657mm
FMB 65-2000	1250kgs	124kgs	702mm	245mm	350mm	2000mm	65mm	657mm
FMB 70-1525	1500kgs	120kgs	574mm	245mm	350mm	1525mm	70mm	657mm
FMB 70-2000	1500kgs	134kgs	732mm	245mm	350mm	2000mm	70mm	657mm
FMB 75-1525	2000kgs	127kgs	594mm	245mm	350mm	1525mm	75mm	657mm
FMB 75-2000	2000kgs	144kgs	760mm	245mm	350mm	2000mm	75mm	657mm