

Carriage Mounted Boom (CMB)

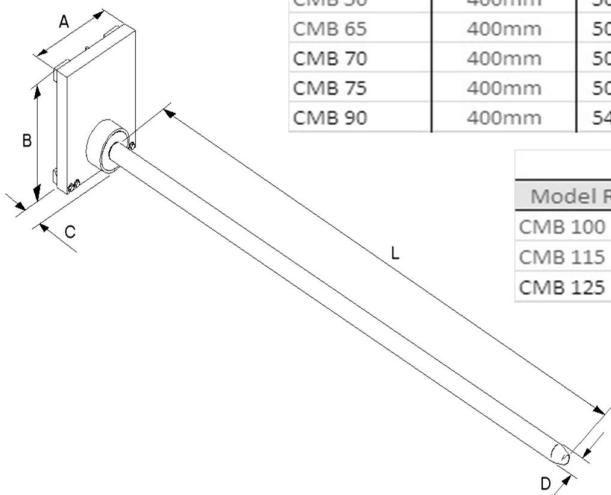
Contact carriage mounted booms are ideal for handling cylindrical objects with a hollow core, such as rolls, reels and carpets. The unit comes complete with a solid steel lifting tine, manufactured to a specific length to suit your roll length and material type. Our carriage mounted booms come as standard with heavy duty machined rear hangers for connecting to the truck carriage. Quick release hangers can also be fitted upon request.

All Contact booms come with a tapered nose, this allows the user to easily enter tight core's with the boom pole, without causing damage to the roll.

When fitting the boom to the truck, remove the bottom hangers and drive slowly forward until the carriage plate contacts the attachment backplate. Raise forks slowly until carriage plate is slightly below the top hangers now allowing re-fitting of the bottom hangers.

When specifying a boom for a reach truck, always check the under carriage clearance. When this is greater than 150mm the boom is mounted 305mm lower in the backplate to allow ground level loads to be lifted.

Model Ref.	Class 2		Class 3		"C"	"D"	"L"	Capacity @ 500mm
	"A"	"B"	"A"	"B"				
CMB 50	400mm	500mm	500mm	600mm	60mm	50mm		880kgs
CMB 65	400mm	500mm	500mm	600mm	80mm	65mm		1750kgs
CMB 70	400mm	500mm	500mm	600mm	140mm	70mm		2300kgs
CMB 75	400mm	500mm	500mm	600mm	140mm	75mm		3000kgs
CMB 90	400mm	540mm	400mm	640mm	140mm	90mm		4000kgs



Model Ref.	Class 4		"C"	"D"	"L"	Capacity @ 500mm
	"A"	"B"				
CMB 100	400mm	790mm	140mm	100mm		5300kgs
CMB 115	400mm	790mm	150mm	115mm		7000kgs
CMB 125	400mm	790mm	150mm	125mm		8200kgs

