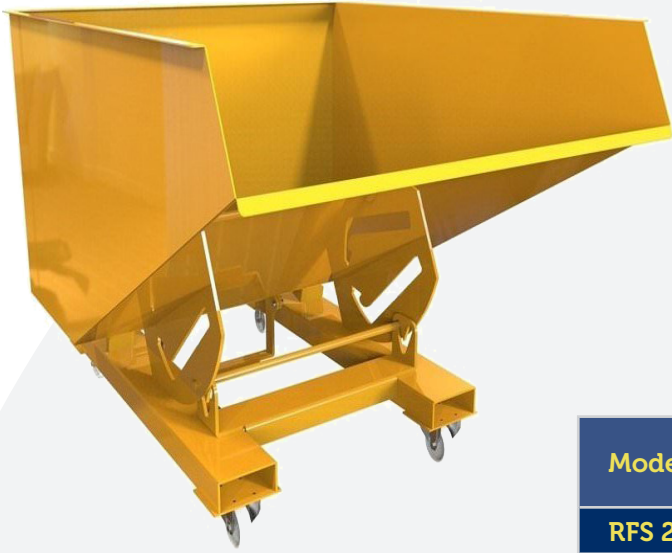


# Tipping Skips - Auto Release Range



Suitable for use in a multitude of industries, our forklift tipping skips help keep working areas clear and allow safe and speedy removal of scrap or rubbish to the appropriate waste receptacle or collection point.

This range of skips comes fitted with an Auto Release mechanism, allowing the forklift operator to tip the skip without leaving the cab of the truck

Manufactured from 3mm gauge steel.  
Supplied with castors as standard

Model Ref	Volume Capacity (m <sup>3</sup> )	Load Capacity (kg)	Weight (kg)
RFS 25L-AU	0.25	1000	119
RFS 40L-AU	0.40	1000	135
RFS 80L-AU	0.80	1000	187
RFS 120L-AU	1.20	1250	208
RFS 160L-AU	1.60	1500	230
RFS 200L-AU	2.00	1500	258

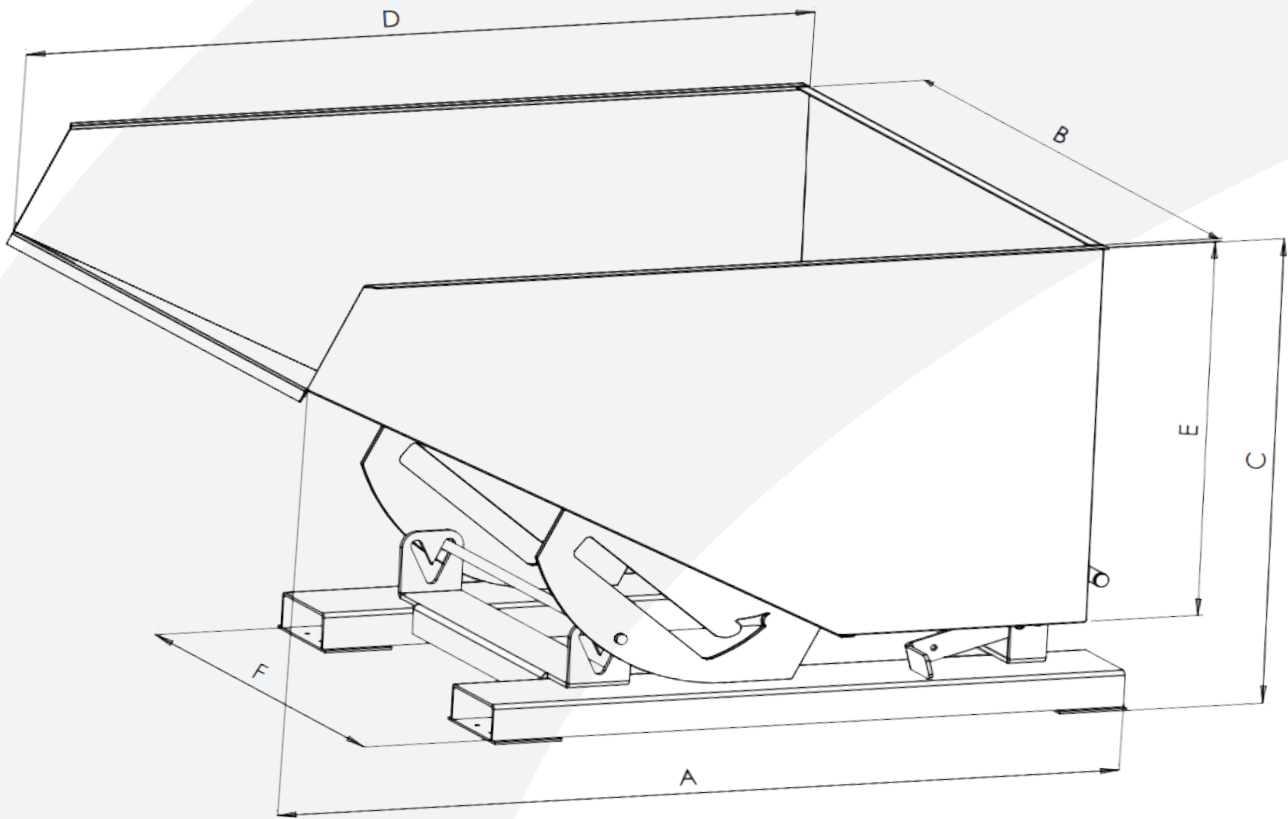
## Features & Benefits

- Auto release mechanism speeds up operations whilst allowing for easy tipping at height
- Castors supplied as standard to aid manoeuvrability
- Heavy duty steel underframe offering long service life properties
- Twin locking mechanism for added safety to ensure skip is locked if loaded unevenly
- Safety security chain to ensure safe retention to forklift truck

Skips can be colour coded to adhere to stringent and environmental policies



# Tipping Skips - Auto Release Range



Maximum Fork Section 150mm x 60mm

Model Ref	O/all Length A (mm)	O/all Width B (mm)	O/all Height C (mm)	Bin Length D (mm)	Bin Height E (mm)	Fork Spread F (mm)
RFS 25L-AU *	1109	794	826	1025	547	890
RFS 40L-AU *	1360	794	906	1197	547	890
RFS 80L-AU	1718	960	1112	1540	750	890
RFS 120L-AU	1718	1200	1112	1540	750	890
RFS 160L-AU	1718	1700	1112	1540	750	890
RFS 200L-AU	1718	2125	1112	1540	750	890

\* For RFS 25L-AU and RFS 40L-AU models, please note the overall width is 925mm. For all other models, the bin width (dimension B) is the widest point

## Enhance your skip with the following



### Lids

Contain rubbish and control unwanted odours



### Mesh Extensions

Increase volumetric capacity of the skip by adding 500mm to height



### Lifting Lugs

Allows skip to be lifted by overhead crane



### Drain Tap & Filter

Enables liquid to drain from skip via a protective tap in base