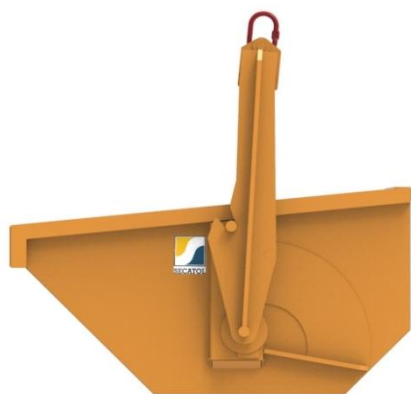


# AUTOVID BOAT SKIP

## With automatic tilting bale arm



**Use:** Transport of earth, rubble, waste or other materials (maximum density = 2.4).

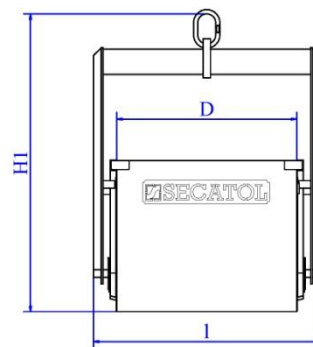
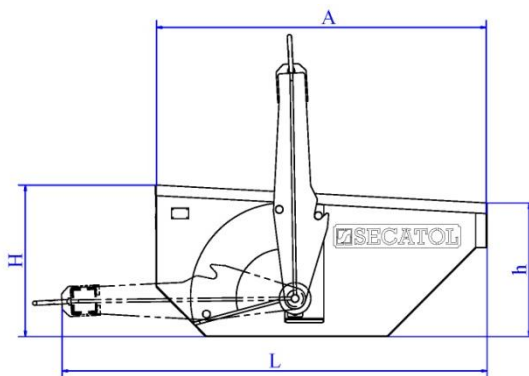
**Principle:** Equipped with the new pull-down bale arm, it offers three advantages

- Laying on the ground, bale arm in rear position, the upper part of the skip is cleared to allow an easy access and loading.
- In discharge position, the skip tilts in vertical position to make a quick and complete discharge.
- The crane operator handles the skip himself for full circles of loading, transport and unloading operations.

**Safety:** No human intervention on the ground is necessary to help during the unloading operation. It is easy for the crane operator to go from one position to another by simply shifting and rising the crane hook. The reverse operation is possible as well.

**New version:**

- ➔ Reduced risks of bale arm blocked on non flat ground
- ➔ Side sliding guidelines closed to prevent sludge or rocks from blocking the bale arm mechanism
- ➔ Reinforced bucket



Product code	Capacity (in Litres)	Useful dimensions (in mm)					Overall dimensions (mm)			Weight (in Kg)	SWL (in Kg)
		A	D	H	H1	h	L	I	H		
13050PB	500	1 355	800	670	1 350	540	1 820	1 080	670	169	1 200
13100PB	1 000	1 705	1 000	810	1 630	680	2 260	1 285	810	269	2 400
13150PB	1 500	1 805	1 200	955	1 825	780	2 430	1 515	955	347	3 600
13200PB	2 000	2 200	1 200	1 005	1 975	885	2 840	1 515	1 005	504	4 800

(Other capacities on request)

These technical details are for information purposes only, they can be changed without any notice.