

Product Guide Sheet

Triangular Fork Extensions

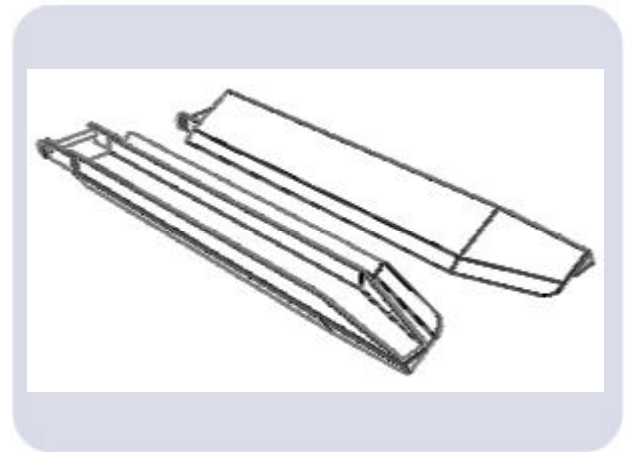
Ordering Information

Product Handled?
 Fork Width & Thickness?
 Fork Spread?
 Truck Capacity?
 Fork Length?

Slip over truck forks to allow cylindrical loads such as paper reels, cable drums etc. to be carried without them rolling off the forks. Triangular Fork Extensions have tapered lead-in edge for ease of product positioning.



Model Ref.	Weight
TFE 100-1525	60kgs
TFE 100-1830	70kgs
TFE 125-1525	66kgs
TFE 125-1830	80kgs
TFE 150-1525	82kgs
TFE 150-1830	100kgs



Model Ref.	"L" (Length mm)	Max Fork Width (mm)	Max Fork Thickness (mm)	Minimum Fork Length (mm)
TFE 100-1525	1525	100	50	1050
TFE 100-1830	1830	100	50	1200
TFE 125-1525	1525	125	50	1050
TFE 125-1830	1830	125	50	1200
TFE 150-1525	1525	150	60	1050
TFE 150-1830	1830	150	60	1200