



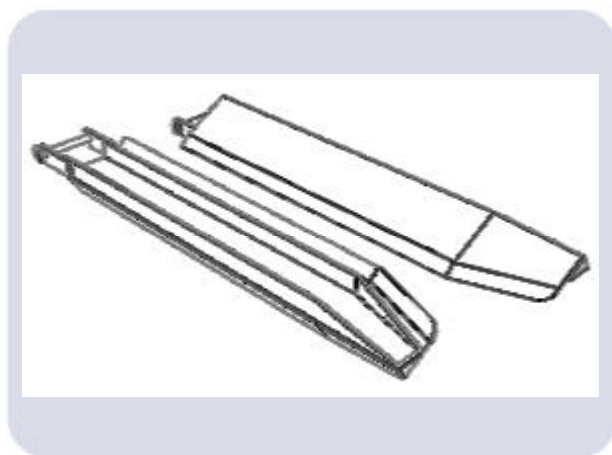
# Triangular Fork Extensions (TFE)

## Ordering Information

*Product Handled?  
Fork Width & Thickness?  
Fork Spread?  
Truck Capacity?  
Fork Length?*

Slip over truck forks to allow cylindrical loads such as paper reels, cable drums etc. to be carried without them rolling off the forks. Triangular Fork Extensions have tapered lead-in edge for ease of product positioning.

Model Ref.	Weight
TFE 100-1525	60kgs
TFE 100-1830	70kgs
TFE 125-1525	66kgs
TFE 125-1830	80kgs
TFE 150-1525	82kgs
TFE 150-1830	100kgs



Model Ref.	"L" (Length mm)	Max Fork Width (mm)	Max Fork Thickness (mm)	Minimum Fork Length (mm)
TFE 100-1525	1525	100	50	1050
TFE 100-1830	1830	100	50	1200
TFE 125-1525	1525	125	50	1050
TFE 125-1830	1830	125	50	1200
TFE 150-1525	1525	150	60	1050
TFE 150-1830	1830	150	60	1200

For further information contact us on: **01686 611 200**

Or visit us at: [www.forklift-attachments.co.uk](http://www.forklift-attachments.co.uk)