



Short Reach Extending Jib (SRX)

Our Short Reach Extending Jib allows previously inaccessible loads to be handled safely. The jib can be fitted to a forklift simply; remove the heel pin and drive the truck slowly forwards until fully sleeved. Re-fit the heel pin behind the truck forks. Ensure the jib is fully secured before lifting.

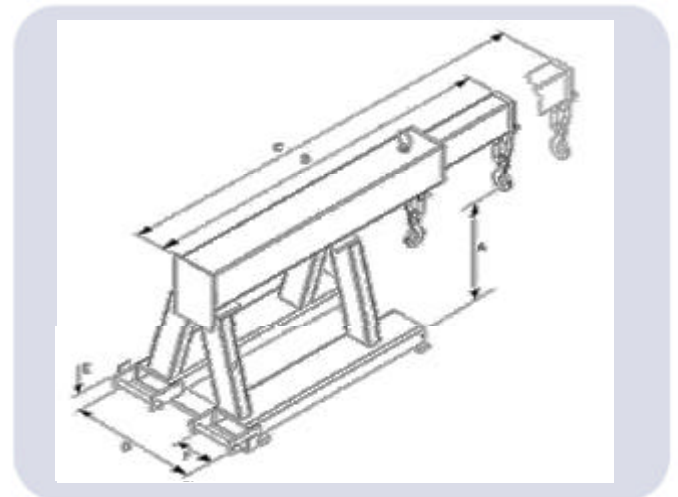
CONTACT Short Reach Extending Jibs allow transportation of long loads safely. The two hooks provided allow loads to be slung at greater centres than with a conventional jib. The greater length allows previously in-accessible loads to be handled. Manual Extension.



Model Ref.	Truck Capacity (kgs)	"A" Hook Height (mm)	"B" Closed Length (mm)	"C" Open Length (mm)	"D" Fork Spread (mm)	"F" Fork Max Width (mm)	"E" Max Fork Thickness (mm)
SRX 500-1.8	2000	191	1250	1750	496	125	50
SRX 500-2.2	2500	193	1250	1750	496	125	50
SRX 500-2.7	3000	176	1250	1750	546	150	50
SRX 500-3.1	3500	163	1250	1750	546	150	50
SRX 500-3.5	4000	137	1250	1750	546	150	50

Model Ref.	Weight	C of G Min	C of G Max
SRX 500-1.8	120kgs	554mm	628mm
SRX 500-2.2	120kgs	554mm	628mm
SRX 500-2.7	160kgs	567mm	644mm
SRX 500-3.1	160kgs	567mm	644mm
SRX 500-3.5	160kgs	567mm	644mm

Ordering Information
Product Handled?
Fork Width & Thickness?
Fork Spread?
Truck Capacity?



Model Ref.	Capacity (kgs) @ Load Ctrs (mm)								
	1000	1250	1500	1750	2000	2250	2500	2750	3000
500-1.8	1100	900	720	580	500	360	330	260	210
500-2.2	1400	1100	1000	850	750	560	440	320	230
500-2.7	1450	1200	1100	900	840	670	490	360	270
500-3.1	1900	1500	1200	1000	900	730	580	450	370
500-3.5	2000	1600	1300	1100	1000	820	670	540	460

For further information contact us on: **01686 611 200**

Or visit us at: www.forklift-attachments.co.uk