

# Product Guide Sheet

## Teleliner Jib

Our Tele-Liner jib offers a solution to the handling of previously inaccessible loads. To fit; simply remove the attachment heel pin and drive the truck slowly forwards until the forks are fully sleeved. Then simply re-fit the heel pin behind the forks of the truck. Ensure the jib is fully secured before lifting commences.

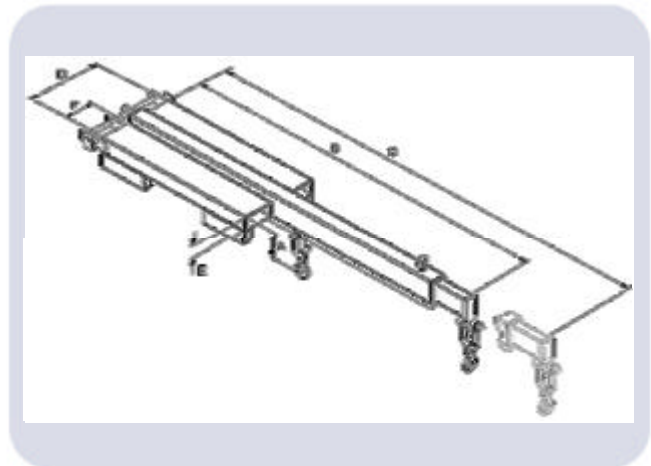
Our Tele-Liner jibs are an inexpensive jib that gives longer reach capabilities for picking up products that are un-palletised or for handling motors, press tools etc, from normally inaccessible positions. Has the added feature of a mechanically extendable inner section of extra reach. Supplied with two hooks and shackles.



Model Ref.	Weight	C of G Min	C of G Max
LLX 500-1.8	124kgs	763mm	960mm
LLX 500-1.8 BP	140kgs	735mm	900mm
LLX 500-2.2	124kgs	763mm	960mm
LLX 500-2.2 BP	140kgs	763mm	900mm
LLX 500-2.7	220kgs	795mm	985mm
LLX 500-2.7 BP	240kgs	735mm	930mm
LLX 500-3.1	220kgs	795mm	985mm
LLX 500-3.1 BP	240kgs	755mm	930mm
LLX 500-3.5	222kgs	795mm	985mm
LLX 500-3.5 BP	245kgs	760mm	935mm
LLX 500-4.4	234kgs	821mm	995mm
LLX 500-4.4 BP	245kgs	760mm	935mm

### Ordering Information

Product Handled?  
Fork Width & Thickness?  
Fork Spread?



Model Ref.	Capacity (kgs) @ Load Ctrs (mm)										
	500	750	1000	1250	1500	1750	2000	2250	2500	2750	3000
500-1.8	1800	1400	1100	900	720	580	500	360	330	260	210
500-2.2	2200	1800	1400	1100	1000	850	750	560	440	320	230
500-2.7	2700	2050	1450	1200	1100	900	840	670	490	360	270
500-3.1	3100	2500	1900	1500	1200	1000	900	730	580	450	370
500-3.5	3500	2700	2000	1600	1300	1100	1000	820	670	540	460
500-4.4	4400	3400	2700	2200	1850	1400	1100	900	750	620	500

Model Ref.	Truck Capacity (kgs)	"A" Hook Height (mm)	"B" Closed Length (mm)	"C" Open Length (mm)	"D" Fork Spread (mm)	"F" Max Fork Width (mm)	"E" Max Fork Thickness (mm)
LLX 500-1.8	2000	339	2000mm	3000	385	125	50
LLX 500-1.8 BP	2000	339	2000mm	3000	482	180	90
LLX 500-2.2	2500	354	2000mm	3000	385	125	50
LLX 500-2.2 BP	2500	354	2000mm	3000	482	180	90
LLX 500-2.7	3000	364	2000mm	3000	520	150	50
LLX 500-2.7 BP	3000	364	2000mm	3000	556	180	90
LLX 500-3.1	3500	364	2000mm	3000	520	150	50
LLX 500-3.1 BP	3500	364	2000mm	3000	556	180	90
LLX 500-3.5	4000	414	2000mm	3000	520	150	50
LLX 500-3.5 BP	4000	414	2000mm	3000	556	180	90
LLX 500-4.4	5000	432	2000mm	3000	530	150	50
LLX 500-4.4 BP	5000	432	2000mm	3000	556	180	90