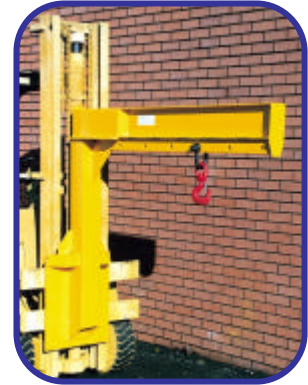




High Lift Jib (HLJ)

Our High Lift Jib simply fits to the forklift in the following way; Simply remove the bottom hangers found on the attachments backplates, via the nuts and bolts or the quick release pin depending on model. The simply drive the truck slowly forwards until the carriage top rail contacts the backplate just below the top hangers, lift the carriage slowly until a snug fit is achieved. Then simply re-fit the bottom hangers and the jib is now ready for use. Please note, stands and quick release models are available.

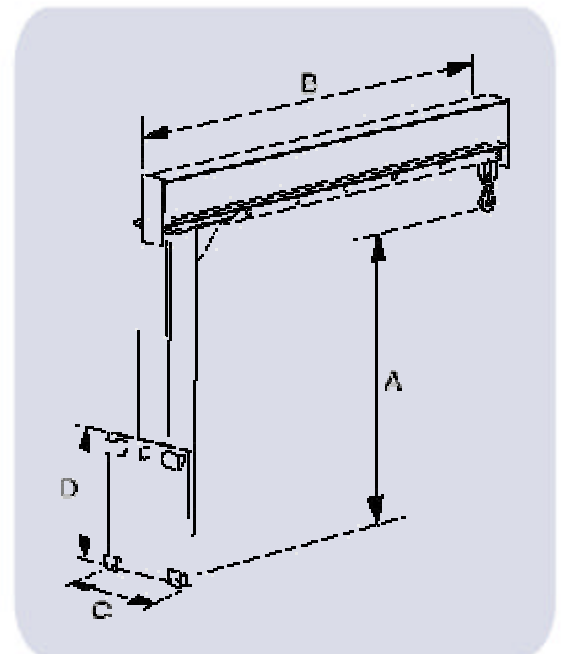
CONTACT High Lift jibs are the standard jib for mounting directly onto a truck carriage. Supplied with hook & shackle. Revised beam profile allows access in confined spaces.



Model Ref.	Capacity (kgs) @ Load Centre (mm)					
	500	750	1000	1250	1500	1750
500-1.3	1300	900	680	500	450	380
500-1.8	1800	1400	1100	900	720	580
500-2.2	2200	1800	1400	1100	1000	850
500-2.7	2700	2050	1450	1200	1100	900
500-3.1	3100	2500	1900	1500	1200	1000
500-3.5	3500	2700	2000	1600	1300	1100
500-4.4	4400	3400	2700	2200	1850	1400
500-5.0	4400	3400	2700	2200	1850	1400
500-5.5	5500	4050	3250	2750	2400	2050

Model Ref.	Weight	C of G
HLJ 500-1.3	136kgs	380mm
HLJ 500-1.8	139kgs	406mm
HLJ 500-2.2	150kgs	430mm
HLJ 500-2.7	155kgs	460mm
HLJ 500-3.1	160kgs	460mm
HLJ 500-3.5	171kgs	480mm
HLJ 500-4.4	173kgs	480mm
HLJ 500-5.0	188kgs	495mm
HLJ 500-5.5	196kgs	495mm

Ordering Information
Product Handled?
Truck Capacity?
Carriage Cls?



Model Ref.	Truck Capacity	"A" Hook Height	"B" Last Hole	Carriage Cls	"C" Carriage Width	"D" Carriage Height
HLJ 500-1.3	1500kgs	982mm	1750mm	2	400mm	500mm
HLJ 500-1.8	2000kgs	945mm	1750mm	2	400mm	500mm
HLJ 500-2.2	2500kgs	932mm	1750mm	2	400mm	500mm
HLJ 500-2.7	3000kgs	922mm	1750mm	3	500mm	600mm
HLJ 500-3.1	3500kgs	922mm	1750mm	3	500mm	600mm
HLJ 500-3.5	4000kgs	922mm	1750mm	3	500mm	600mm
HLJ 500-4.4	5000kgs	898mm	1750mm	4	500mm	750mm
HLJ 500-5.0	5500kgs	898mm	1750mm	4	500mm	750mm
HLJ 500-5.5	6000kgs	898mm	1750mm	4	500mm	750mm

For further information contact us on: **01686 611 200**

Or visit us at: www.forklift-attachments.co.uk