



Maxi Lift Jib (FML)

Our best selling Maxi Lift Jib is designed to offer a solution to the handling of larger, heavier loads safely. To fit, simply ensure the heel pins are removed, then drive slowly into the attachment sleeves as far as possible. Then simply re-fit the heel pin behind the forks of the truck and the jib is now ready to begin lifting.

CONTACT Maxi Lift Jibs

are designed for a heavier range of fork trucks for handling large un-palletised loads. Bar locked behind the fork heels for safety. Supplied with hook & shackle to allow load to be placed at varying load centres.



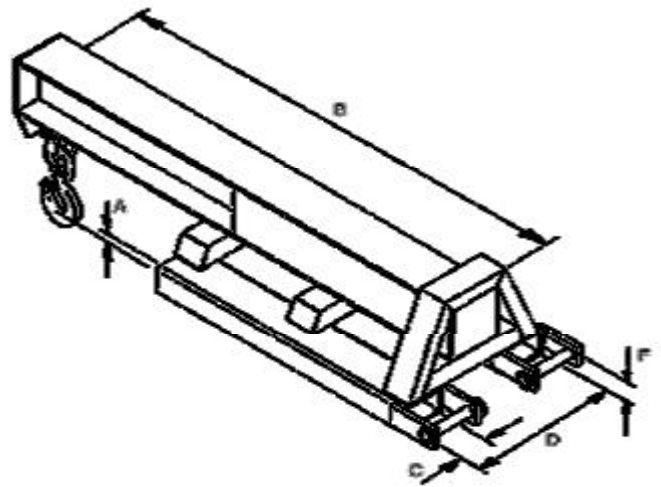
Model Ref.	Truck Capacity	"A"	"B"	"C"	"D"	"F"
FML 600-5.5	6000kgs	329mm	2000mm	150mm	650mm	65mm
FML 600-6.5	7000kgs	329mm	2000mm	150mm	650mm	65mm
FML 600-7.4	8000kgs	314mm	2500mm	150mm	650mm	70mm
FML 600-9.2	10000kgs	349mm	2500mm	200mm	800mm	75mm

Model Ref.	Capacity (kgs) @ Load Ctr (mm)					
	1250	1500	1750	2000	2250	2500
FML 600-5.5	2750	2400	2050	1650		
FML 600-6.5	3300	2900	2400	2100		
FML 600-7.4		3315	2750	2475	2000	1750
FML 600-9.2		3730	3100	2790	2370	1900

Model Ref.	Weight	C of G
FML 600-5.5	386kgs	845mm
FML 600-6.5	386kgs	845mm
FML 600-7.4	454kgs	1042mm
FML 600-9.2	482kgs	1016mm

Ordering Information
 Truck Capacity
 Fork Width/Thickness/Length
 Fork Spread
 Load Details

Product Videos Available @ www.forklift-attachments.co.uk



For further information contact us on: **01686 611 200**

Or visit us at: www.forklift-attachments.co.uk