



# Fork Mounted Drum Handler (FDH)

*Our best selling drum handler has a fully automatic action. The attachment has two curved arms which hinge at one end. To lift a drum, approach it with the clamp arms horizontal and positioned halfway up the drum, between two rolling hoops. When the arms contact the drum they will open automatically, falling back around the drum as you proceed forwards. When the attachment is raised the arms will grip the drum tightly under the upper rolling hoop*

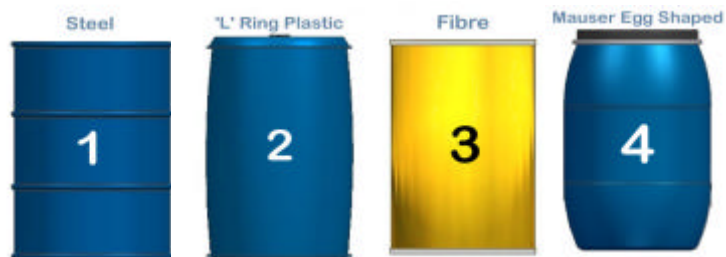
CONTACT Fork Mounted Drum Handlers are the entry level drum grab designed solely for handling steel drums with rolling hoops. Ideal for low to medium volume movement of drums around the factory or store. Fully automatic operation.



Model Ref.	Capacity	No. of Drums	Drum Types	"A" Load Ctr	"B" Fork Spread	"C" Fork Width	"D" Fork Thickness
FDH-1	500kgs	1	1	1110mm	560mm	140mm	50mm
FDH-1-HD	1000kgs	1	1	1120mm	560mm	140mm	50mm
FDH-1-110	250kgs	1	1 (110 Litre)	1000mm	450mm	140mm	50mm
FDH-2	1000kgs	2	1	1110mm	880mm	140mm	50mm
FDHU-1	500kgs	1	1 & 2	1110mm	560mm	140mm	50mm
FDHU-2	1000kgs	2	1 & 2	1110mm	880mm	140mm	50mm

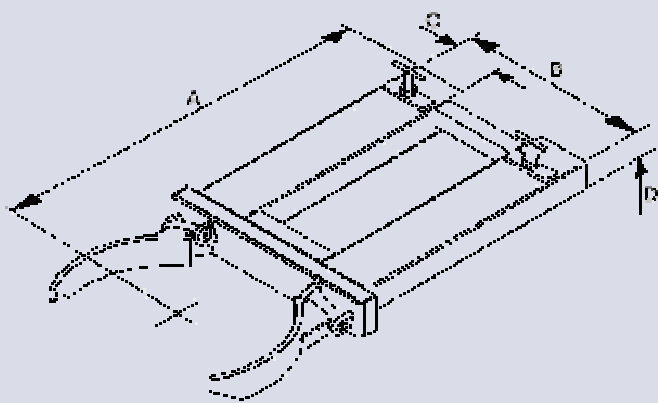
Model Ref.	Weight	C of G	Lost Load Centre
FDH-1	43kgs	554mm	130mm
FDH-1-HD	58kgs	558mm	140mm
FDH-1-110	40kgs	549mm	130mm
FDH-2	60kgs	636mm	130mm
FDHU-1	49kgs	582mm	130mm
FDHU-2	73kgs	669mm	130mm

### Ordering Information:



Drum Type  
Truck Capacity

Drum Weight  
Fork Width/Thickness



Note: Lost Load Centre measured from tip of forks

For further information contact us on: **01686 611 200**

Or visit us at: [www.forklift-attachments.co.uk](http://www.forklift-attachments.co.uk)