

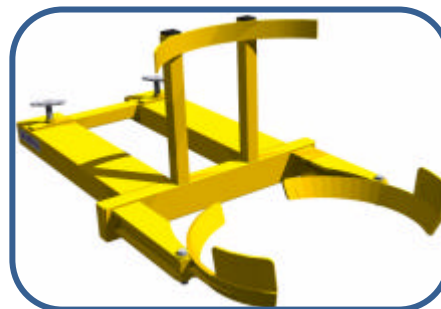


Fork Mounted Mauser Drum Handler (FDH-M)

Our popular Mauser Drum Grab offers both ease of use and stability when a dedicated truck and attachment are needed for drum positioning of this nature.

To fit the attachment, simply lower the carriage until the forks are just off the ground then drive slowly forwards until the forks contact the tip of the attachment pockets. Then tighten the screw clamps to ensure adequate retention.

To pick up a drum simply drive slowly forwards to the drum, as the arms contact the drum sides they will pivot to allow the drum to enter the girdle, once the drum enters they pivot once more to grip the drum, then simply raise the carriage and the arms will grip the drum via its taper.



CONTACT Fork Mounted Mauser Drum Handlers are designed for use with the 210 litre Mauser open top and tight head egg shaped plastic drums. Arms close automatically around the base of the drum holding it securely during transportation. Fully automatic operation. Secured to the truck by fork pockets and screw clamps.

Model Ref.	Capacity	No. of Drums	Drum Types	Weight
FDHM-1	360kgs	1	4	55kgs
FDHM-2	720kgs	2	4	85kgs

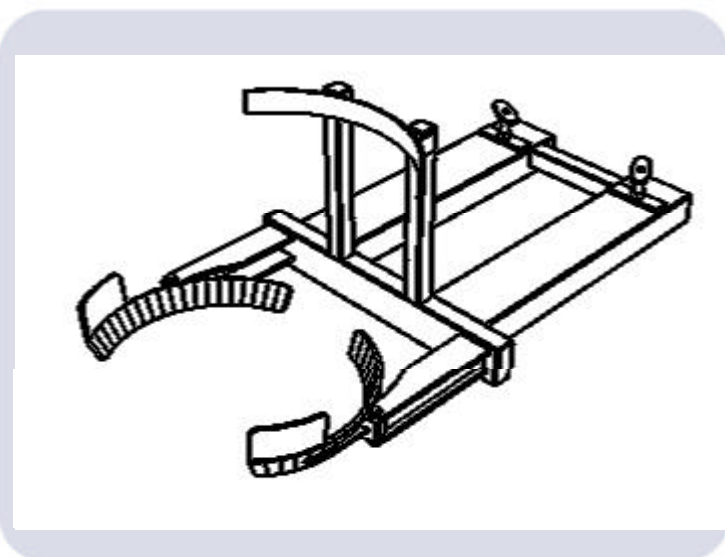


Ordering Information:



Drum Type
Truck Capacity

Drum Weight
Fork Width/Thickness



MAX FORK SIZE 140 X 50MM

For further information contact us on: **01686 611 200**

Or visit us at: **www.forklift-attachments.co.uk**