



Fork Mounted Drum Dumper (FDD)

Our hugely popular Drum Dumper can be used in the following way; To pick up a drum ensure that the girdle is in the horizontal position. Slowly drive the truck into the attachment sleeves and secure via tightening the screw clamps. Position the truck forks so as the the girdle is at a sufficient height to locate around the centre of the drum. Once the drum is located secure via the webbing strap and ratchet unit. Ensure the drum is secured before lifting.

To dump the contents, position the support arms just above the lip of the skip into which you are tipping. Pull the chord on the right hand side of the attachment to disengage the location pin. Drive forwards slowly, allowing the drum to contact the skip side, this momentum will cause the drum to rotate about its trunnions. Once the skip side is approximately halfway between the drum centre and base the support arms should be lowered onto the skip side. This will angle the drum sufficiently for it to fully empty the contents.



CONTACT Fork Mounted Drum Dumpers are used in conjunction with 210 litre steel drums. The attachment offers a cost effective solution for containment and removal of scrap steel or dry coarse swarf from a workshop. Steel drums can be picked up from alongside machines, transported to the scrap skip and dumped without involving any manual handling. This is only suitable for use with free flowing material.

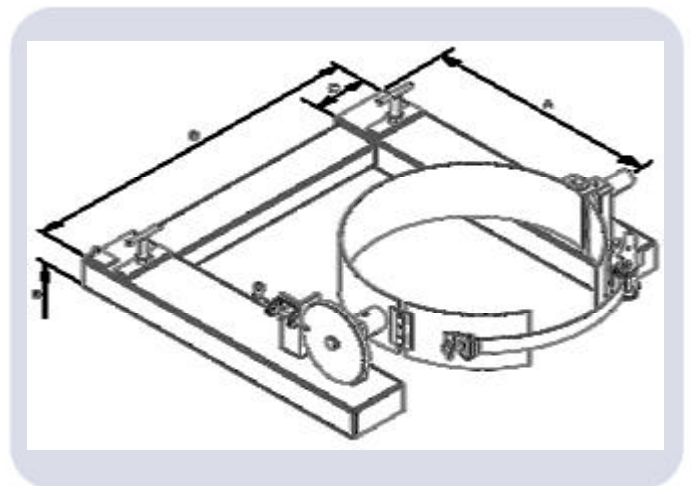
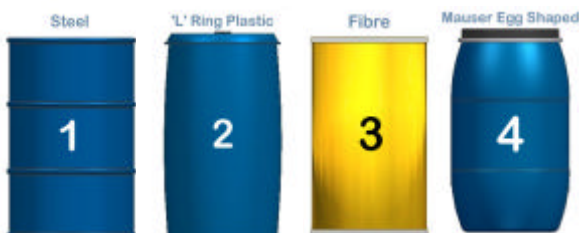
Model Ref.	Capacity	No. Of Drums	Drum Type	"A" Load Centre	"B" Fork Spread	"C" Fork Width	"D" Fork Thickness
FDD-1	500kgs	1	1	818mm	707mm	140mm	50mm

Model Ref.	Weight	C of G
FDD-1	70kgs	510mm

Ordering Information

Truck Capacity
Fork Width/Thickness
Drum Weight

Drum Type
Max Fork Spread
Drum Diameter



Product Video's Available @
www.forklift-attachments.co.uk