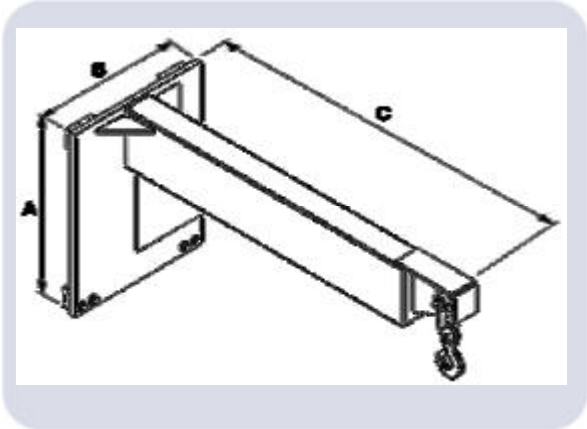
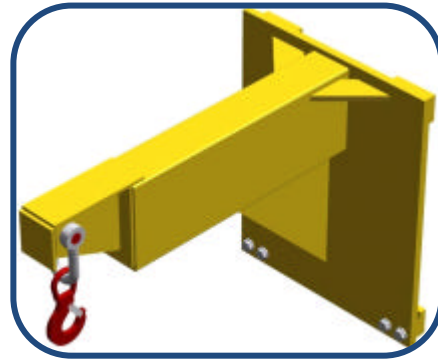


Product Guide Sheet

Carriage Mounted Econo Jib

Our Econo Jib offers a low cost solution for dedicated fork trucks lifting loads at a single load centre. To fit ; simply remove the bottom rear hangers on the attachment back plate. Then simply lower the truck carriage and drive slowly forwards so as the truck carriage top rail contacts the jib backplate just below the attachments top hanger, raise the carriage if nessecary so that a snug fit is achieved. Then simply re-fit the bottom hangers and esnure the jib is secured fully. Lifting may now commence.



Our Econo Jibs are a low cost jib, with one lifting point which mounts directly onto the carriage of your lift truck. This jib is ideal for where dedicate lifting is needed at a given load centre and manoeuvrability is paramount.

Model Ref.	Truck Capacity	Carriage Cls	"A"	"B"	"C"
ECJ 500-0.8	1000kgs	2	500mm	400mm	1200mm
ECJ 500-1.3	1500kgs	2	500mm	400mm	1200mm
ECJ 500-1.8	2000kgs	2	500mm	400mm	1200mm
ECJ 500-2.2	2500kgs	2	500mm	400mm	1200mm
ECJ 500-2.7	3000kgs	3	600mm	400mm	1200mm

Ordering Information:
 Truck Capacity
 Carriage Cls
 Load Details
 Jib Length Required

Model Ref.	Capacity (kgs) @ Load Ctrs (mm)										
	500	750	1000	1250	1500	1750	2000	2250	2500	2750	3000
500-1.8	1800	1400	1100	900	720	580	500	360	330	260	210
500-2.2	2200	1800	1400	1100	1000	850	750	560	440	320	230
500-2.7	2700	2050	1450	1200	1100	900	840	670	490	360	270
500-3.1	3100	2500	1900	1500	1200	1000	900	730	580	450	370
500-3.5	3500	2700	2000	1600	1300	1100	1000	820	670	540	460
500-4.4	4400	3400	2700	2200	1850	1400	1100	900	750	620	500