

# Carriage Mounted Carpet Boom (CMBS)

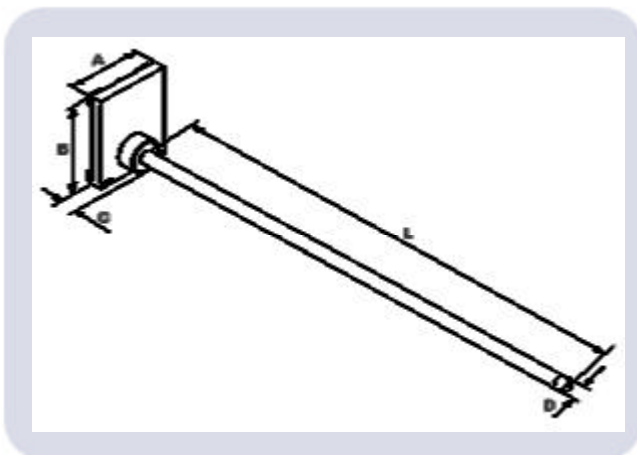
Our popular Carriage Mounted Carpet Boom offers an easy solution to the transport and lifting of carpets and all other floor covering or similar rolled materials. Testing is carried out to a 3:1 yield strength to ensure maximum safety and durability. Mounts directly onto the carriage of the truck; by means of removing the lower hangers and driving slowly forwards until the truck carriage plate contacts the boom backplate, slight lifting is needed to just below the top hangers to allow re-fitting of the lower hangers.

CONTACT Carriage Mounted Carpet Boom is manufactured from a heavy duty high grade EN24T steel with fully threaded pole construction. Designed for handling carpets and all other types of floor covering or similar rolled materials, mounting directly onto the carriage of the truck.



Model Ref	Class 2		Class 3		"C"	"D"	"L"	Capacity @ 2000mm
	"A"	"B"	"A"	"B"				
CMBS 70-3050	400mm	500mm	500mm	600mm	140mm	70mm	3050mm	384kgs
CMBS 70-3660	400mm	500mm	500mm	600mm	140mm	70mm	3660mm	384kgs
CMBS 70-4000	400mm	500mm	500mm	600mm	140mm	70mm	4000mm	384kgs
CMBS 75-3050	400mm	500mm	500mm	600mm	140mm	70mm	3050mm	480kgs
CMBS 75-3660	400mm	500mm	500mm	600mm	140mm	70mm	3660mm	480kgs
CMBS 75-4000	400mm	500mm	500mm	600mm	140mm	70mm	4000mm	480kgs
CMBS 85-3050	400mm	500mm	500mm	600mm	140mm	70mm	3050mm	700kgs
CMBS 85-3660	400mm	500mm	500mm	600mm	140mm	70mm	3660mm	700kgs
CMBS 85-4000	400mm	500mm	500mm	600mm	140mm	70mm	4000mm	700kgs

Model Ref	Class 2		Class 3	
	Weight	C of G	Weight	C of G
CMBS 70-3050	197kgs	764mm	245kgs	612mm
CMBS 70-3660	215kgs	995mm	263kgs	811mm
CMBS 70-4000	223kgs	1240mm	250kgs	1225mm
CMBS 75-3050	210kgs	820mm	259kgs	665mm
CMBS 75-3660	231kgs	1061mm	280kgs	877mm
CMBS 75-4000	236kgs	1245mm	263kgs	1230mm
CMBS 85-3050	240kgs	922mm	289kgs	767mm
CMBS 85-3660	267kgs	1180mm	294kgs	999mm
CMBS 85-4000	283kgs	1100mm	310kgs	1085mm



## Ordering Information:

- ✓ Truck Capacity
- ✓ Carriage Class
- ✓ Type of Product Handled
- ✓ Weight of Product Handled
- ✓ Length of Product Handled
- ✓ Bore Diameter of Product to be Handled

Note: All Booms can be fitted with Quick Release Bottom Hangers.

## Reach Truck Booms Available:

When Specifying a Boom for a Reach Truck, always check under carriage clearance, when this is greater than 150mm the boom is mounted 305mm lower on the backplate to allow ground level loads to be successfully handled.