



Carriage Mounted Drum Handler (CDH)

Our best selling Carriage Mounted Drum Handler is fully automatic. The attachment has two curved arms which hinge at one end.

To lift a drum, approach it with the clamp arms horizontal and positioned between two rolling hoops.

When the arms contact the drum they will open automatically, falling back around the drum as you proceed forwards. When the attachment is raised the arms will grip the drum tightly under the upper rolling hoop.

CONTACT Carriage

Mounted Drum

Handlers are designed

for use with 210/220

litre (45 gallon) steel

drums, with rolling

hoops. This attachment

fits directly onto the

carriage in place of the

forks and is the ideal choice if a dedicated truck is

required to handle drums or if turning room is

restricted.

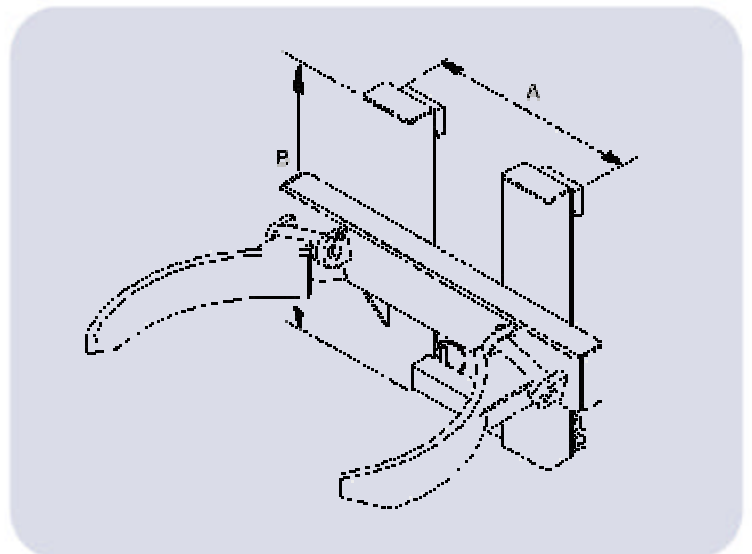
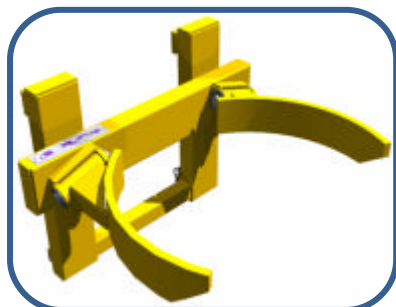


Model Ref.	Capacity	Carriage Cls	No. of Drums	Drum Types	"A"	"B"
CDH-1	500kgs	2	1	1	400mm	500mm
CDH-1-HD	1000kgs	2	1	1	400mm	500mm
CDH-2	1000kgs	2	2	1	400mm	500mm

Model Ref.	Weight	C of G	LLC
CDH-1	40kgs	114mm	190mm
CDH-1-HD	49kgs	121mm	200mm
CDH-2	59kgs	122mm	190mm

Ordering Information:

- ✓ Truck Capacity
- ✓ Carriage Class
- ✓ Drum Type
- ✓ Drum Weight



For further information contact us on: **01686 611 200**

Or visit us at: www.forklift-attachments.co.uk